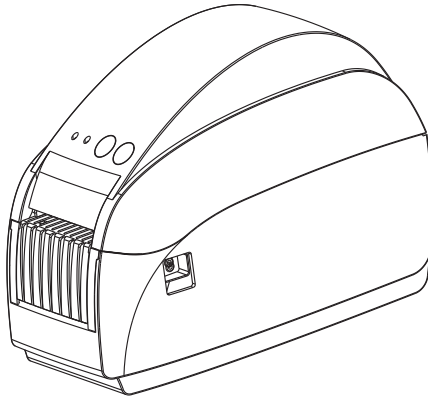




# User's Manual

Thermal Barcode Printer

## GP-58T



Proficient in Commercial POS Receipt Printers




- 1. Introduction.....2**
  - 1.1 Safety Warning .....2
  - 1.2 Note .....2
- 2. General Information .....3**
  - 2.1 Introduction .....3
  - 2.2 Main Features .....3
- 3. Printer Parts .....3**
- 4. Paper Roll Installation .....5**
- 5. Specification .....8**
- 6. Quick Start .....10**
  - 6.1 Unpacking .....10
  - 6.2 Power Cable Connection .....10
  - 6.3 Data Cable Connection .....10
  - 6.4 Media Installation .....10
- 7. Power On Utilities .....10**
  - 7.1 Self-Test .....10
  - 7.2 Gap Sensor Calibration .....11
  - 7.3 Hexadecimal Dumping .....12
  - 7.4 Skip AUTO.BAS .....12
  - 7.5 Printer Initialization .....13
- 8. Indicators and Buttons.....13**
  - 8.1 Indicators .....13
  - 8.2 Buttons .....13
- 9. Maintenance .....14**
  - 9.1 Printer Cleaning .....14

## 1 、 Introduction

Thanks for choosing our new thermal label printer GP-58T. This product provides reliable performance and high printing quality at economic price. With powerful functions and easy operation design, GP-58T is your best choice of thermal label printer.

### CAUTION, NOTE


 **CAUTION:** MUST COMPLY, OTHERWISE HUMAN GET HARM AND DEVICES DAMAGE.

 **NOTE:** IMPORTANT INFOMATION AND TIPS FOR PRINTERS OPERATION.

### SAFETY WARNING

PLEASE READ THE BELOW WARNINGS AND NOTES CAREFULLY BEFORE USING THE PRINTER.

#### 1.1 SAFETY WARNING

 **CAUTION:** THE PRINT HEAD IS A HEATED PART, PLEASE DO NOT TOUCH THE PRINT HEAD AND OTHER PARTS AROUND IT IN AND AFTER THE PRINTING PROCESS.

 **CAUTION:** DO NOT TOUCH THE PRINT HEAD AND PLUG-IN PARTS TO AVOID PRINT HEAD DAMAGE.

 **CAUTION:** DO NOT TOUCH THE PAPER TEAR-OFF KNIFE TO AVAOD GETTING HARM.

#### 1.2. Safety Notice:

1. Install the printer on the stable surface. Choose firm and level surface where avoid vibration.
2. Keep enough space for printer operation and maintenance.
3. Keep printer away from water, sunshine, high lights and heat source.
4. Do not use and store the printer under high temperature, moist and seriously polluted environment.
5. Avoid to put the printer in shaky areas.
6. Condensation of moisture on the printer surface is not allowed. If failed, do not turn on the printer until dew disappears.
7. Connect AC power adapter to a proper power outlet. Avoid to use the same outlet with other large electric machines which generate voltage fluctuation.
8. Please unplug the printer power cord from outlet when you do not plan to use it for long period.
9. Do not let water or conducting material (eg. metal) into the printer.
10. Do not print when it is out of paper, which will seriously damage the printer head and rubber roller.
11. Make sure printer power is turned off when connecting and disconnecting with the interface.
12. When printing quality meet your needs, we recommend you set low grade print density.
13. Do not try to disassemble, repair or remodel the printer by yourself.

## 2 、 General Information

### 2.1 Introduction

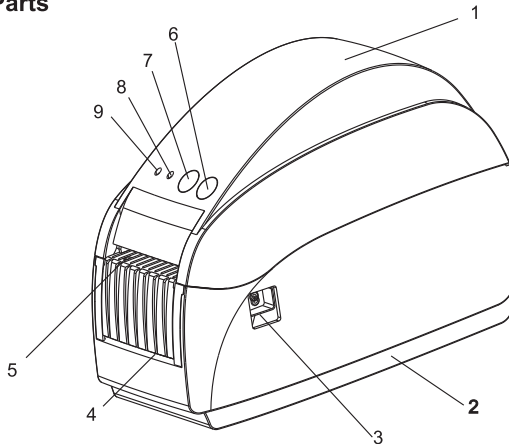
GP-58T is designed for real-time and batch label printing, which is applicable in the field of transportation, logistics, post, retail sale, and etc. The printer can be connected with other equipment with various interface cards, such as Serial, USB ,It supports different paper media, including thermal paper roll, thermal label paper and sticker paper.

The printer provides direct thermal printing at selectable printing speed of 2.0, 3.0, 4.0 and 5.0 inches per second. It accepts roll feed, die-cut and fan-fold labels. All common bar code formats are available. Font and bar codes can be printed in 4 directions and in 1 to 10 times enlargement size. High performance and efficiency of label printing save your time!

### 2.2 Main Features

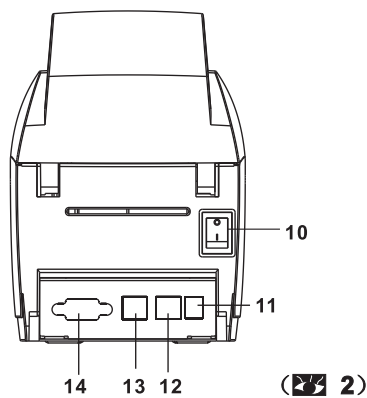
- Support thermal paper roll, thermal label paper and sticker paper.
- Support printing media width from 20mm to 60mm.
- Auto paper adjusting function.
- Auto temperature control for durable printing.
- Module design for different application.

## 3 、 Printer Parts

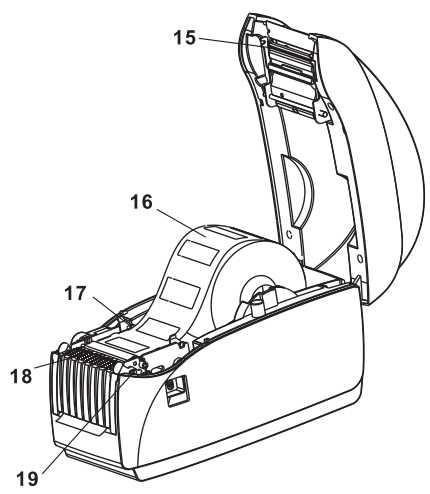


(  1 )

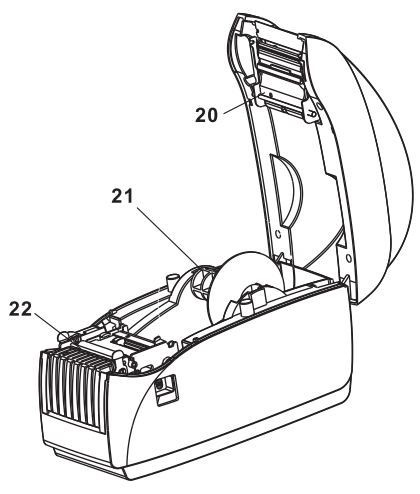
- 1- Top Cover    2- Base housing    3- Top Cover Open Button  
 4- Release Paper Exit    5- Label Exit    6- Feed Button  
 7- Pause Button    8- Error Indicator    9- ONLINE/POWER Indicator



- 10- Power Switch      11- Power Port      12- Cashdrawer Port
- 13- USB Port        14-Serial Port



( 3 )

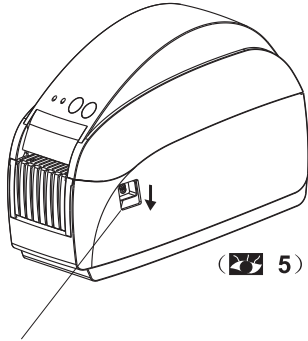


( 4 )

- 15- Print Head    16- Paper Roll    17- Limiting Block    18- Paper Presence Sensor
- 19- Peel-off Roller Lever    20- Light Transmission Sensor Light Source
- 21- Paper Roll Spindle    22- Peel-off Spindle    23- Peel-off Roller

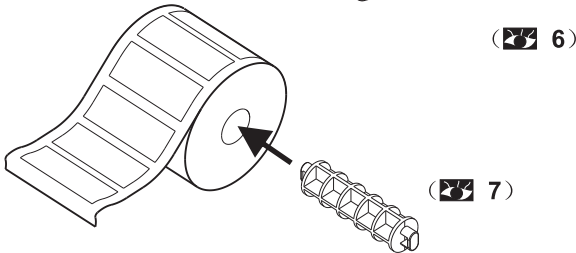
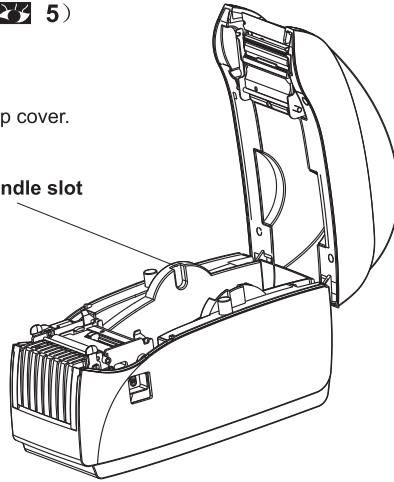
#### 4. Paper Roll Installation

(1) Insert the paper roll spindle into paper roll, and put it into printer hollow, then fix it correctly into the spindle slot inside the printer.



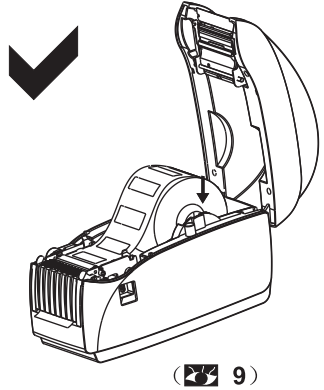
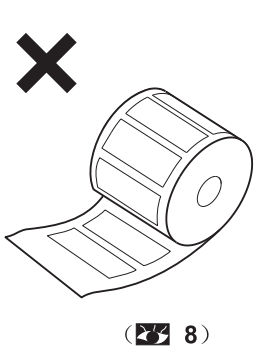
① Press the button to open the top cover.

Paper roll spindle slot



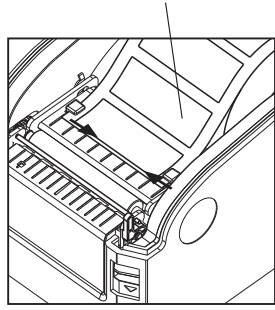
② Insert the paper roll spindle into the paper roll, and adjust the spindle position to make it in the center of the paper roll.

③ Fix the paper roll into slot and pay attention that label paper should be facing up as picture showing.

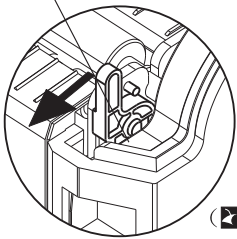


**(2) Label Paper Peel-off Mode Setting**

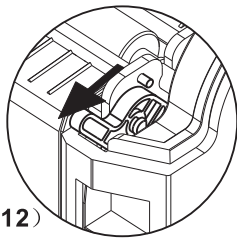
① Pull the leading edge of label paper and thread through the limiting block, then adjust it according to paper width to make sure label paper is in proper and fixed printing position.



② Pull down the peel-off roller lever to unlock the peel-off roller.

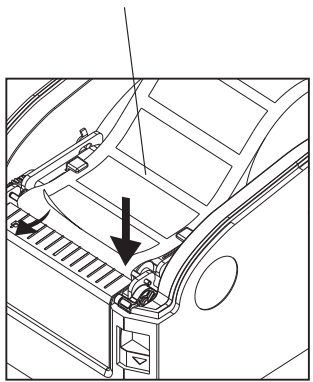


Lever stands, the peel-off roller is locked.



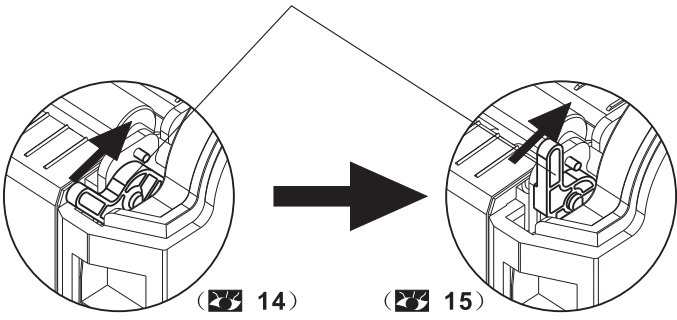
Lever down, the peel-off roller is unlocked.

- ③ After peel-off roller unlocked, separate the label paper from release paper manually, insert the release paper into peel-off device in front of the peel-off roller.



(  13 )

- ④ Pull up the peel-off level and the roller will press on the release paper, then close the top cover.



(  14 )

(  15 )

Lever down, the peel-off roller is unlocked.

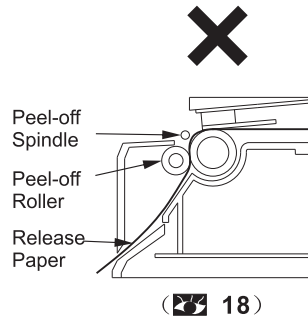
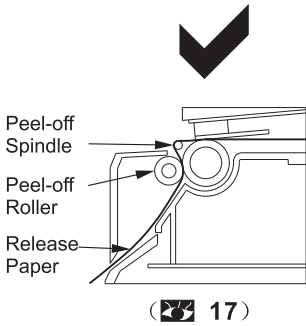
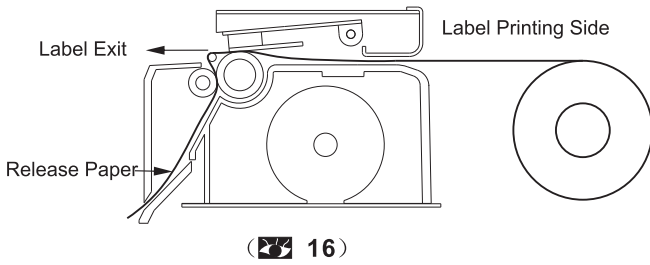
Level stands, the peel-off roller is locked and release paper is fixed into the peel-off device.



**⚠ Note:**

- If the peel-off function fails, please check:
- 1.The printing media is installed correctly.
  - 2.The release paper must be in front of the peel-off spindle.
  - 3.The peel-off roller needs to press on the release paper.
  - 4.The peel-off roller lever must be stand.

**Please refer the pictures below:**



## 5. Specification

## SPECIFICATIONS

Parameter		
Print	Printing method	Direct Thermal
	Resolution	203DPI
	Print width	2inch
	Print speed	Max. 127mm/s; Min. 101mm/s
	Memory	DRAM: 2M FLASH: 2M
	Print head temperature sensor	Thermal Sensitive Resistance
	Print head position sensor	Microswitch
	Paper Presence sensor	Photoelectricity sensor
	Interface	Serial(RS-232)+USB
Bar code Font Graphics	Bar code	CODE128, EAN128, ITF, CODE39, CODE93, EAN13, EAN13+2, EAN13+5, EAN8, EAN8+2, EAN8+5, CODABAR, POSTNET, UPC-A, UPCA+2, UPCA+5, UPC-E, UPCE+2, UPC-E+5, CPOST, MSI, MSIC, PLESSEY, ITF14, EAN14
	Internal font	FONT 0 to FONT 8 Simplified Chinese, Traditional Chinese and Korean
	Enlargement & rotation	1 to 10 times enlargement in both directions 0° , 90° , 270° , 360° rotation
	Graphics	Mono PCX and BMP files can be downloaded into FLASH and DRAM
Media	Media type	Continuous, sticker, fan-fold, etc
	Media width	20mm ~ 60m
	Media diameter	Max. 110mm
	Paper off mode	Tear-off or Peel-off
Power	Input	12V DC/3A
Environment	Work	5 ~ 45°C, 20 ~ 80%RH
	Storage	- 40 ~ 55°C, ≤93%RH ( 40°C )
Physical Feature	Dimension	230(L) x 115(W) x 170(H)mm
	Weight	1.1kg

The printer supports both continuous and non-continuous paper.

- Continuous type: Paper roll without adhesives
- Non-continuous type:
  - 1) Label paper without adhesives;
  - 2) Sticker paper




## 6 . Quick Start

### 6.1 Unpacking

Open the printer package and check the printer parts according to packing list. If any parts are missing or damaged, please contact the local distributor.



### 6.2 Power Cable Connection

- 1) Make sure the printer power switch is OFF;  19
- 2) The printer power jack is a 3-pin socket and for 12V DC power input. Please plug the DC cord connector into the printer's power jack properly.

12V DC

#### CAUTION:

- When connecting or disconnecting the plug, always hold the plug but not the cord.
- Avoid pulling the power cord, otherwise any damages may cause a fire or electrocution.
- Avoid placing the power cord around other over heated equipment to prevent power cord melting, which may cause a fire or electrocution.
- We recommend that you unplug the printer from the power outlet if no use it for a long period

### 6.3 Data Cable Connection

- 1) Make sure the printer power switch is OFF.
- 2) Plug the data cable connector into the printer's interface properly.
- 3) Plug the other end of the data cable with the host computer.

#### CAUTION:

- Please do not plug the data cable when the printer power is ON.

### 6.4 Media Installation

To install the sticker paper and label roll, please refer "4. Paper Roll Installation".

## 7 、 Power On Utilities

There are five power-on utilities to set up and test printer hardware. These utilities are activated by pressing FEED button and PAUSE button.

### 7.1、 Self-Test

To start the printer self-test, please follow the below steps,

1. Turn off the printer power.
2. Make sure the paper roll is installed correctly and the printer top cover is closed.
3. Press the FEED button and turning on the printer power simultaneously. When the self-test paper (chart 21) comes out, release the FEED button.

**Self-test Page Sample:**

**SELFTEST.....Self-test Mode**



( 20 )

MODEL: GP58T.....Model name  
 VERSION: V1.0.....Firmware version  
 INTERFACE: USB.....Interface type  
 SPEED: 5.....Print speed  
 DENSITY: 7.....Print darkness  
 SIZE: 48 mm , 180 mm .....Paper width  
 GAP: 0 mm , 0 mm .....Gap distance  
 CODE PAGE: 437 .....Code page  
 MILAGE ( m ) : 0.....Printed mileage (meter)  
 REFERENCE: 0 mm , 0 mm.....Reference offset  
 DIRECTION: 0 , 0.....Print direction  
 SHIFT: 0 .....Label print offset  
 OFFSET: 0 .....Paper tear-off offset Printer functions

\*\*\*\*\*

SET PEEL: OFF.....Peel-off mode  
 SET TEAR: ON.....Tear-off mode  
 SET HEAD: ON.....Cover opening sensor  
 SET PRINTKEY: OFF.....Press & print function  
 SET REPRINT: ON.....Auto reprint function  
 SET KEY1 (FEED) : ON.....Feed button function  
 SET KEY2 (PAUSE) : ON.....Pause button function  
 TAIWANESE BIG5: TST24.BF2.....Taiwanese  
 CHINESE GB2312: TSS24.BF2.....Chinese  
 KOREAN KSC5601: K.....Korean

} **button function**

\*\*\*\*\*

DRAM FILE: 0 FILE (S)  
 FLASH FILE: 0 FILE (S)  
 SECTOR SIZE: 4 KB  
 PHYSICAL DRAM: 2048 KBYTES  
 AVAILABLE DRAM: 1024 KBYTES FREE  
  
 PHYSICAL FLASH 2048 KBYTES  
 AVAILABLE FLASH 1024 KBYTES FREE

} **Numbers of download files  
 Physical & available  
 memory space**

**7.2 Gap Sensor Calibration**

Gap sensor sensitivity should be calibrated at the following conditions

1. A brand new printer
2. Label stock changed
3. Printer initialization

This function is to reset the label gap sensor sensitivity when the printer power is turned on. User needs to start the calibration of the gap sensor sensitivity after loading a different type of label roll or the printer is initialized.

**Please follow the steps below to calibrate the gap sensor:**

1. Turn off the printer power.
2. Make sure the label roll is installed correctly and the printer top cover is closed.
3. Press and hold on the PAUSE button, then turn on the printer power. The printer will automatically calibrate the gap sensor sensitivity and save the gap length into DRAM. After then release the PAUSE button.

### 7.3 Dump mode

Please follow the steps below:

1. Turn off the printer power.
2. Make sure the label roll is installed correctly and the printer top cover is closed.
3. Press and hold on the PAUSE button and FEED button, then turn on the printer power. When the POWER indicator (blue light) and ERROR indicator (red light) light simultaneously, release both buttons. The printer is changed to Dump Mode and print as below chart.

```

*****
* NOW IN DUMP MODE *
*****

SELFTE 0A 53 45 4C 46
ST      53 54 0D 0A

```

 21)

**⚠ Note:** Printer will not print if data is not more than one piece of label, and need to press FEED button to force the printer to print it out.

### 7.4 Skip AUTO.BAS

User can download an auto execution file (AUTO.BAS) to flash memory. Printer will run the AUTO.BAS program immediately when turning on printer power. The AUTO.BAS program can be interrupted by the power-on utility.

**Please follow the steps below to skip the AUTO.BAS:**

1. Turn off the printer power.
2. Press and hold on the PAUSE button and FEED button, then turn on the printer power. When the POWER indicator (blue light) dims and ERROR indicator (red light) lights, release both buttons. The printer skips running the AUTO.BAS program. And then the POWER indicator lights.



## 7.5 Printer Initialization

Printer initialization is used to clear DRAM and restore printer settings to defaults. Please do the gap sensor sensitivity calibration after the printer initialization.

### Please follow the steps below to initialize the printer:

1. Turn off the printer power.
2. Press and hold on the PAUSE button and FEED button, then turn on the printer power. When the POWER indicator (blue light) lights and ERROR indicator (red light) dims, release both buttons. The printer DRAM is cleared and printer settings are restored to defaults.

## 8. Indicators and Buttons

The printer has two indicators (POWER indicator in blue light and ERROR indicator in red light) and two buttons (PAUSE and FEED).

### 8.1 Indicators:

Item	Indicators Status	Descriptions
1	POWER indicator is ON ERROR indicator is OFF	Printer is powered on and in normal print mode.
2	POWER indicator flashes slowly (640ms) ERROR indicator is OFF	Printer is paused.
3	POWER indicator flashes fast (160ms) ERROR indicator is OFF	Printed label is peel-off but not taken off.
4	POWER indicator is OFF ERROR indicator flashes fast (160ms)	Printer cover is opened.
5	POWER indicator is OFF ERROR indicator flashes slowly (640ms)	Paper shortage or gap sensor calibrated error.
6	POWER indicator flashes fast (160ms) ERROR indicator flashes fast (160ms)	Printer overheated protection is activated. After 1 minute, the printer will check again the temperature of print head. If the temperature gets right, printer resumes working.

### 8.2 Buttons

Item	Functions	Descriptions
1	<b>Feed</b>	Press the FEED button when POWER indicator is on and ERROR indicator is off. It feeds the label to the beginning of the next label
2	<b>Pause</b>	Press the feed button during printing and the printing job is suspended.
3	<b>Self-test</b>	<ol style="list-style-type: none"> <li>1. Turn off the printer power.</li> <li>2. Make sure the paper roll is installed correctly and the printer top cover is closed.</li> <li>3. Press the FEED button and turning on the printer power simultaneously. When the self-test paper comes out, release the FEED button.</li> </ol>

<b>4</b>	<b>Gap sensor calibration</b>	<ol style="list-style-type: none"> <li>1. Turn off the printer power.</li> <li>2. Make sure the label roll is installed correctly and the printer top cover is closed.</li> <li>3. Press and hold on the PAUSE button, then turn on the printer power. The printer will automatically calibrate the gap sensor sensitivity and save the gap length into DRAM. After then release the PAUSE button.</li> </ol>
<b>5</b>	<b>Dump mode</b>	<ol style="list-style-type: none"> <li>1. Turn off the printer power.</li> <li>2. Make sure the label roll is installed correctly and the printer top cover is closed.</li> <li>3. Press and hold on the PAUSE button and FEED button, then turn on the printer power. When the POWER indicator (blue light) and ERROR indicator (red light) light simultaneously, release both buttons. The printer is changed to Dump Mode.</li> </ol>

## 9. Maintenance

### 9.1 Printer Cleaning

To ensure the printing quality, please proceed this maintenance section to keep your printer in good conditions and extend its life.

Please use one of following material to clean the printer:

- Cotton swab
- Lint-free cloth
- Vacuum / Blower brush
- 100% ethanol

The cleaning process is described as following

Printer Part	Method
<b>Print Head</b>	<ol style="list-style-type: none"> <li>1. Turn off the printer power before cleaning the print head.</li> <li>2. Allow the print head to cool for at least one minute.</li> <li>3. Use a cotton swab and 100% ethanol to clean the print head surface.</li> </ol>
<b>Platen Roller</b>	<ol style="list-style-type: none"> <li>1. Turn off the printer power.</li> <li>2. Rotate the platen roller and use a cotton swab or lint-free cloth to wipe it thoroughly with 100% ethanol.</li> </ol>
<b>Exterior</b>	Wipe it with water-dampened cloth.
<b>Interior</b>	Use a vacuum or blower brush to clean the dust.

Note:

- Always turn off the printer power before cleaning the printer.
- Do not touch print head by hand. Tweezers is not allowed to use for cleaning, otherwise the print head, platen roller or sensor may be damaged.
- Please use 100% ethanol. DO NOT use medical alcohol, gasoline or acetone, which may damage the print head and platen roller.
- Do the sensor calibration after cleaning the sensors.
- Only turn on the printer and resume printing job after the ethanol volatilized.

